

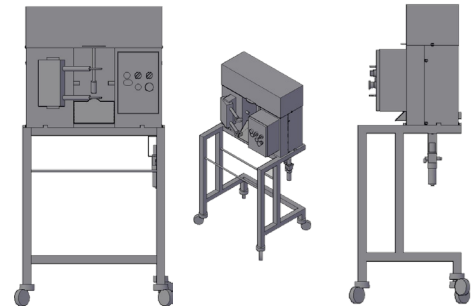
pelamatic

Industrial

Orange Peeler Industrial OPI-001

This industrial peeling machine facilitates the peeling of any oval fruit, optimizes production processes and generates greater productivity.

Its automation system allows different types of skin to be peeled, with speed options for the past of the blade, in this way the thickest fruits and vegetables are included in the production, it also incorporates a safety system that facilitates its automatic stop . Its easy design provides a wide configurability before the realization of the project.



Características Generales

- Speed, efficiency and simplicity.
- Electro-pneumatic machine.
- Allows quick and safe cleaning using warm water and a cloth. Recommended daily cleaning.
- Peel any type of fruit and vegetable that has a spherical or oval shape with a diameter of 140 mm.
- Optional square leather cut (Fixed Blade).
- Two rotating pitchforks * for better holding of fruits and food.
- Cylinder with positioner (probe tube) * to adjust the thickness of the blade cut *.
- Support of metallic structure on wheels with lock that allows an easy movement of the machine.

Características Técnicas

Productivity	Fruits thick skin 6/7 units / min	Weight	44 kg
	Thin-skinned fruits 12 units / min	Power	70W
Dimensions	Machine 59 x 57 x 44 cm	Air pressure	6 kg
	Support 90 x 70 x 50 cm	Material	304 stainless steel
Voltage	220/240 V- 50/60 Hz 110/120 V- 50/60 Hz	Blade durability	100.000 cycles peeled approx.
Cut thickness	Between 1,5-6 mm aprox	Fruit size	Between 60-140 mm
Optional settings	Zesting adjustment cut thickness 0,2-1,5 mm Fixed blade adjustment thickness between 2-10 mm y ancho de 2-8 mm Adjustment small fruits dimensions between 30-80 mm Adjustment large size fruits between 85-160 mm		

* Spare parts available